



*Fitting Instructions for*

***TRIM TAB LIGHT***

## Trim Tab Fitting Instructions

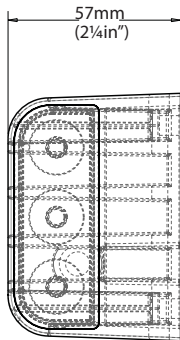
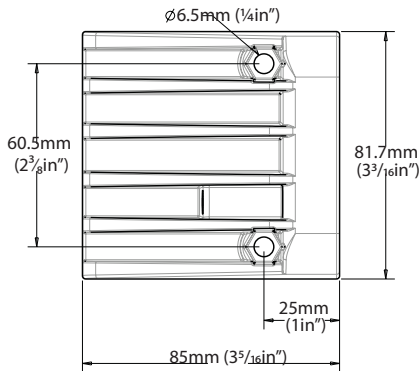
*All Aqualuma lights have been tested before shipping.*

*It is recommended that you use a qualified boat builder to work out placement and fitting of your new underwater lights.*

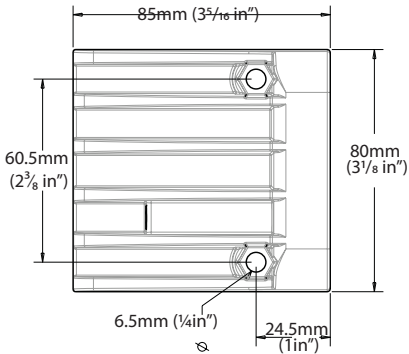
**You will require the following to install your new Aqualuma lights: -**  
6 mm/1/4" drill, 5 or 6 cable/zip ties and a Fuse or Circuit Breaker

### **Step 1**

With boat on hardstand or trailer work out where to fit light unit to Trim tab or angle bracket and mark hole centres as set out below.



**Standard Trim Tab Light**



**Short Trim Tab Light**

## Step 2

Drill the 2 holes required to mount the unit to the Trim Tab or Bracket.

## Step 3

Using the 2 nylock nuts and bolts supplied attach the unit to the Trim Tab or Bracket and tighten until just tight ( do not over tighten ) the nut and bolt need only to be tight enough to stop the unit from moving on the mount.

## Step 4

Mark out and drill a 6mm/1/4" hole well above the waterline for the wire and feed wire through. Cable tie wire where needed then apply sealant around hole and clean.

## Step 5

Connect the wires to a joiner box if using more than one light then run a positive and negative feed from a fused switch to the joiner box.

**\*Please note red wire is positive and black is negative**

## **Limited Warranty**

(Please pass on to the vessel owner)

Aqualuma warrants all of its product range with a Three (3) year warranty to be free of defects in workmanship and materials.

Aqualuma warranty will be deemed void if the product is improperly maintained or as a result of misuse, neglect, improper installation or natural disasters such as flood, fire, lightning or unauthorized repairs or modifications.

Aqualuma will replace at its option any product or part free of charge upon return of the defective item and will pay for return freight within warranty period.

Aqualuma's liability in all claims and events is limited to and shall not exceed the purchase price of the Aqualuma product. No affirmation of fact or warranty expressed or implied other than that set out in the warranty statement above is made or authorized by Aqualuma.

Aqualuma disclaims any liability claims that are due to misapplication, improper selection or misuse. Any liability for consequential or accidental damages is expressly disclaimed.

AMG ( QLD) PTY. LTD. Trading as Aqualuma

Unit 4, 54 Siganto Drive

Helensvale

4212 Qld Australia

Email : [info@aqualuma.com](mailto:info@aqualuma.com)

Web: [www.aqualuma.com](http://www.aqualuma.com)