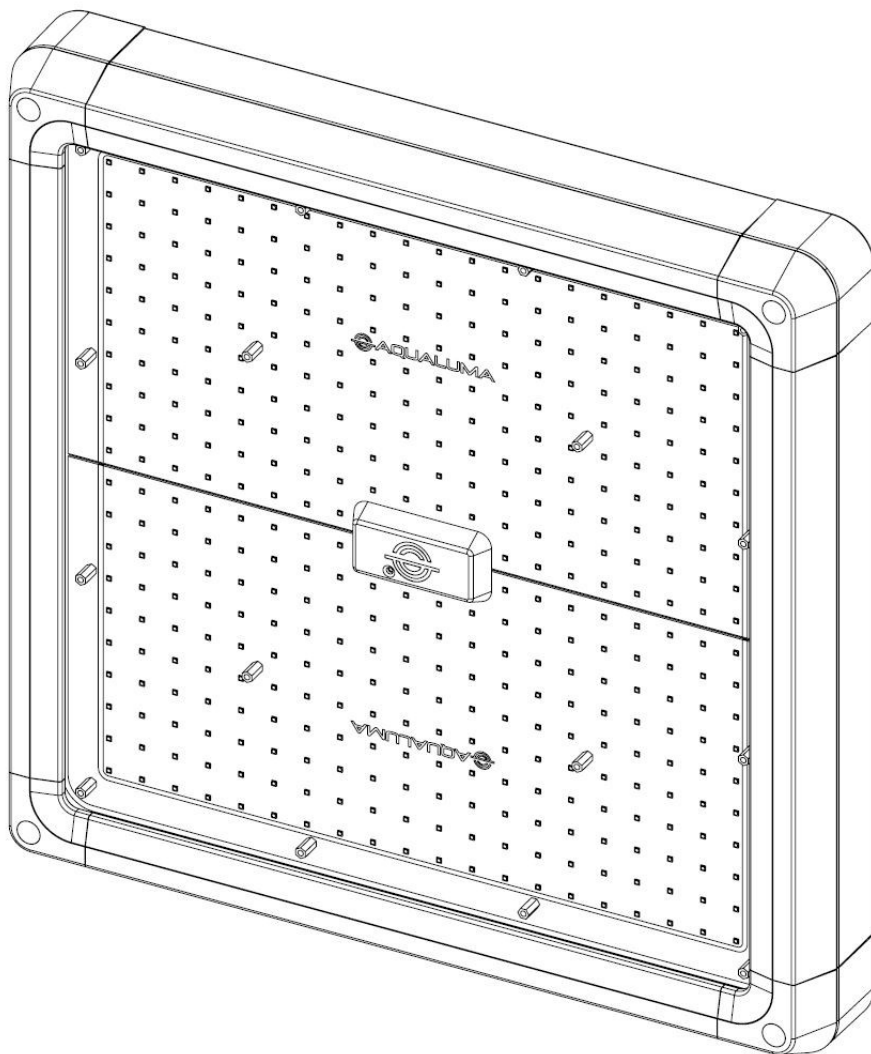




AQUALUMA®

FOOD & PETROLEUM GRADE (FPG) CANOPY LIGHT



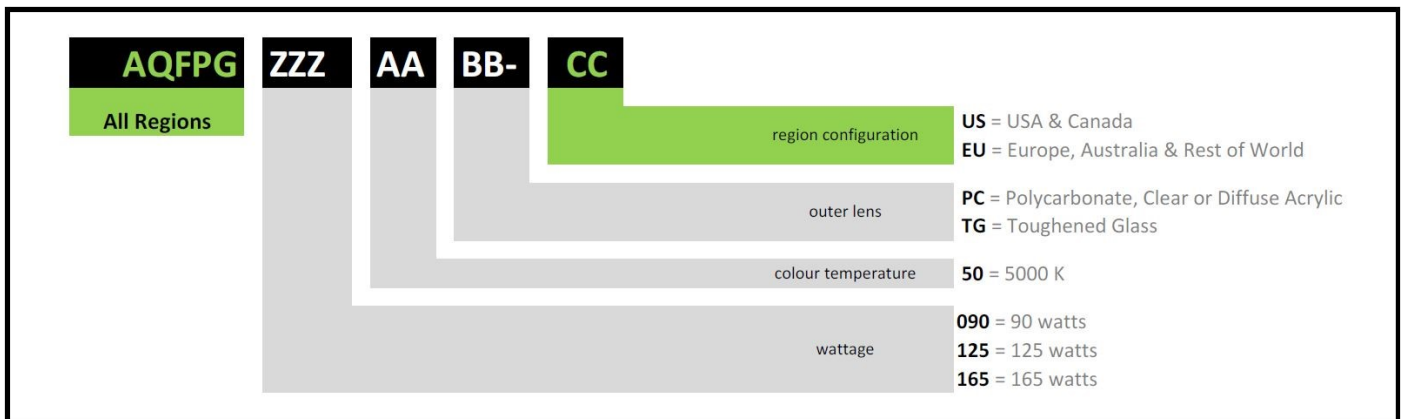
Warranty & Installation Instructions



AQUALUMA®

Congratulations on purchasing your Australian Designed & Manufactured lighting fixture from Aqualuma LED Lighting. This fixture uses state of the art LED technology to illuminate industrial areas effectively, whilst dramatically reducing maintenance costs and ongoing power consumption.

Warranty & Installation Instructions: June 2018
Product Brand: Aqualuma LED Lighting
Product Name: Food & Petroleum Grade (FPG) Canopy Light
Product Code: (refer to your purchase records for your exact model)



PLEASE READ THESE INSTALLATION INSTRUCTIONS CAREFULLY BEFORE INSTALLING, OPERATING OR MAINTAINING THIS LUMINAIRE.

THIS PRODUCT MUST BE MAINTAINED AND OPERATED IN ACCORDANCE WITH THESE INSTALLATION INSTRUCTIONS, FAILURE TO DO SO MAY DAMAGE THE PRODUCT, REDUCE ITS EFFECTIVENESS, LIFE EXPECTANCY, AND MAY VOID THE WARRANTY.

IT IS ILLEGAL FOR PERSONS OTHER THAN LICENSED ELECTRICIANS OR THOSE AUTHORISED BY LEGISLATION TO WORK ON THE FIXED WIRING OF ANY ELECTRICAL INSTALLATION.

THIS LIGHT MUST BE INSTALLED BY A LICENSED ELECTRICIAN.



AQUALUMA®

1. WARRANTY:

All Aqualuma FPG Canopy luminaires have a commercial warranty covering the product for 5 years from the date of purchase to the terms set out below:

Terms of Warranty:

The Aqualuma FPG Canopy Luminaire commercial warranty insures the product to be free of defects in workmanship and materials for a period of 5 years from date of purchase. This commercial warranty includes all fittings, including LED chips and drivers. This commercial warranty covers all operation cycles up to 24 hours a day, 7 days a week.

Warranty covers:

Aqualuma reserves the right to view proof of purchase prior to replacement or repair.
Aqualuma reserves the right to inspect the defective luminaire prior to replacement or repair.
Aqualuma offers at their discretion, either a complete and full replacement, or repair of the faulty luminaire, including return freighting of the replacement or repaired luminaire.
Aqualuma will not be held accountable for any costs associated with the removal or return of the defective luminaire, nor the subsequent re-installation of the replacement luminaire.

Warranty does not cover:

Installation which is not carried out in accordance with the instructions contained in this document, maintenance other than contained in this document, misuse, neglect, improper installation or natural disasters such as flood, fire, lightning, power spikes, any unauthorized repairs or modifications to the luminaire. Removal or replacement of the product.

NO USER SERVICEABLE PARTS INSIDE THE LUMINAIRE - OPENING OF THE LUMINAIRE WILL VOID THE WARRANTY.

Liability:

Aqualuma's liability in all claims and events is limited to and shall not exceed the purchase price of the Aqualuma product. No affirmation of fact or warranty expressed or implied other than that set out in the warranty statement above is made or authorized by Aqualuma. Aqualuma disclaims any liability claims that are due to misapplication, improper selection or misuse. Any liability for consequential or accidental damages or costs is expressly disclaimed.

In the unlikely event that you have an issue with your Aqualuma product, please contact Aqualuma or your dealer for repair or replacement information.



**MUST BE INSTALLED
BY A LICENSED
ELECTRICIAN**



AQUALUMA®

2. SPECIFICATION:

Product Brand:	Aqualuma LED Lighting
Product Name:	Food & Petroleum Grade (FPG) Canopy Light
Weight:	Surface Mount – 6.5 kgs / 14.3 lbs Stand Off Frame - 8 kgs / 17.6 lbs
AC Supply Voltage:	220 - 240 V~ / 47 – 63 Hz / 0.7A max
Operating Temperature:	- 40 to +45 ° C / cable - 40 to +50 ° C / driver - 40 to +70 ° C
Power Consumption:	90w, 125w, or 165w - see product label
Instant On/ Off:	Standard in all models
Motion Sensor:	Optional – see product order

3. LED PERFORMANCE:

Photometry:	IESNA LM-79
ISTM:	IES LM-84-14
Lifetime:	IESNA LM-80 and IESNA TM-21
Colour Temperature:	5000 Kelvin
Colour Rendering Index:	75 CRI

Aqualuma FPG Canopy	90 W	125 W	165 W	
<i>Data from Clear Acrylic Lens - other lenses will vary</i>				
Power Factor	0.98	0.96	0.98	(λ)
Total Harmonic Distortion	8.3	11.2	10	(%)
Luminous Flux	13,698	17,963	22,871	(lumens)
Efficacy	150	146	140	(lm/w)
UV Light Output	~0.034%	~0.034%	~0.034%	< 400nm



AQUALUMA®

4. CERTIFICATION:

Electrical Safety:	AS/NZS 60598.2.1:2014 +A1 – AS/NZS 60598.1:2013
EMC Compliance:	AS/NZS CISPR 15
Ingress Protection:	IP 65 to AS/NZS 60598.1 clause 9.2 IP 67 - Driver
Mechanical Impact Protection:	Toughened Glass – AS/NZS 2208 Clear & Diffuse Acrylic – IK 06 to EN 50102 UV Polycarbonate – IK 10 to EN 50102
Certificate of Suitability:	SAA171342
Approvals:	RCM – 5720 / ERAC – E4386 / ACMA – N30779
Food Safety:	HACCP - PE-845-AQU-01, classification zone: SSZ

5. WARNINGS:

It is illegal for persons other than licensed electricians or those authorised by legislation to work on the fixed wiring of any electrical installation.

Under NO circumstances can the luminaire be mounted on normally flammable surfaces.
The luminaire MUST be installed outside of arms reach.

CAUTION: RISK OF ELECTRIC SHOCK -

Make sure that the electrical power supply is turned off during installation.

This fixture must be connected to a wiring system with an earth/ground conductor.

If the external flexible cable of this luminaire is damaged in any way it shall be exclusively replaced by Aqualuma in order to avoid hazard.

CAUTION: RISK OF PREMATURE FAILURE -

Ensure that the supply voltage is within the range of the rated fixture voltage.

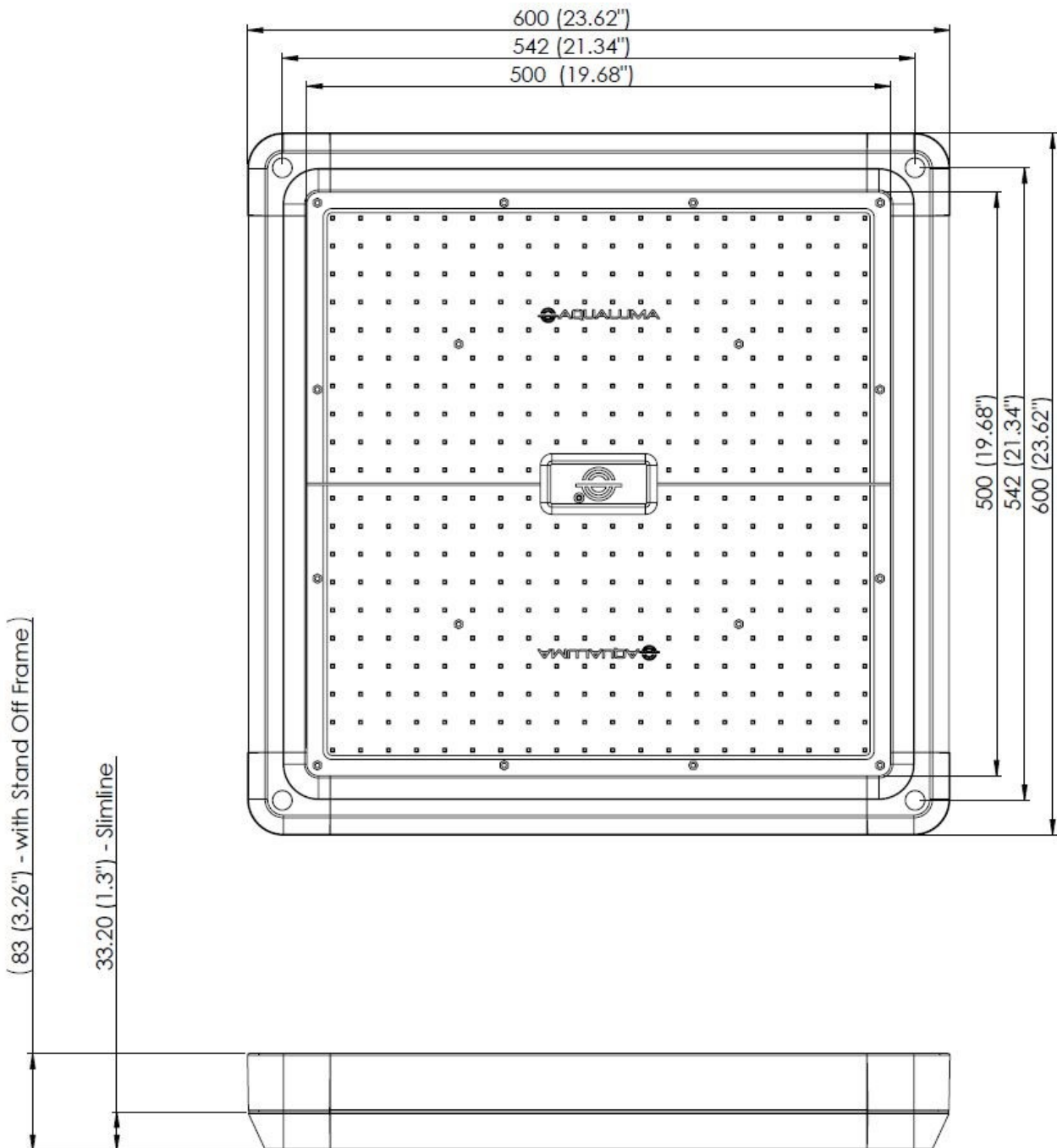
To ensure adequate cooling air circulation, do not install the fixture in a confined space.

Operation of the fixture in areas where the ambient temperature exceeds the maximum rated operating temperature, as per specification, could reduce the lifetime of the fixture.



AQUALUMA®

6. DIMENSIONS:





AQUALUMA®

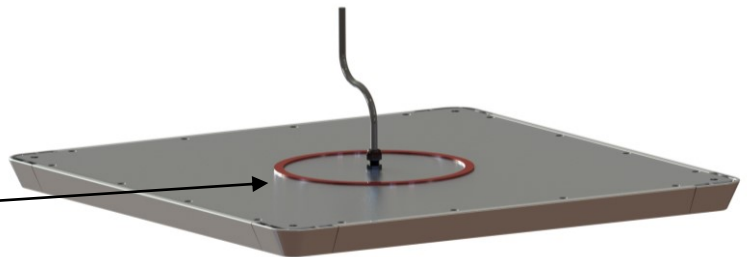
INSTALLATION:

Surface Mount – Slimline:

The luminaire must be surface mounted. The fixings chosen must be suitable for the ceiling material and be able to support 5 times the total weight on the luminaire (6.5kg / 14.3 lbs). The luminaire should be installed where access for maintenance is practical, and in accordance with any lighting design information provided for the installation. Plastic caps are provided to conceal the the screw heads once securely tightened.

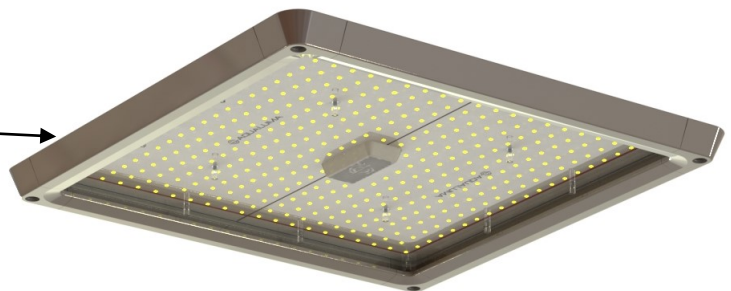
Surface Mount - Slimline:

Apply circle of silicone about cable exit prior to fixing to ceiling



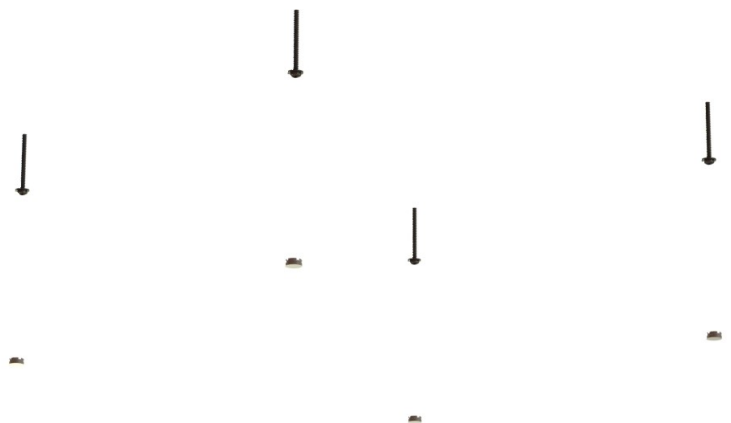
Driver to be placed upright in ceiling cavity

Apply silicone between edge of unit and ceiling in damp environments



Screw unit flush to ceiling.
Installer must ensure appropriate hardware is used to fix luminaire to ceiling material

Corner Caps – to conceal screws once installed



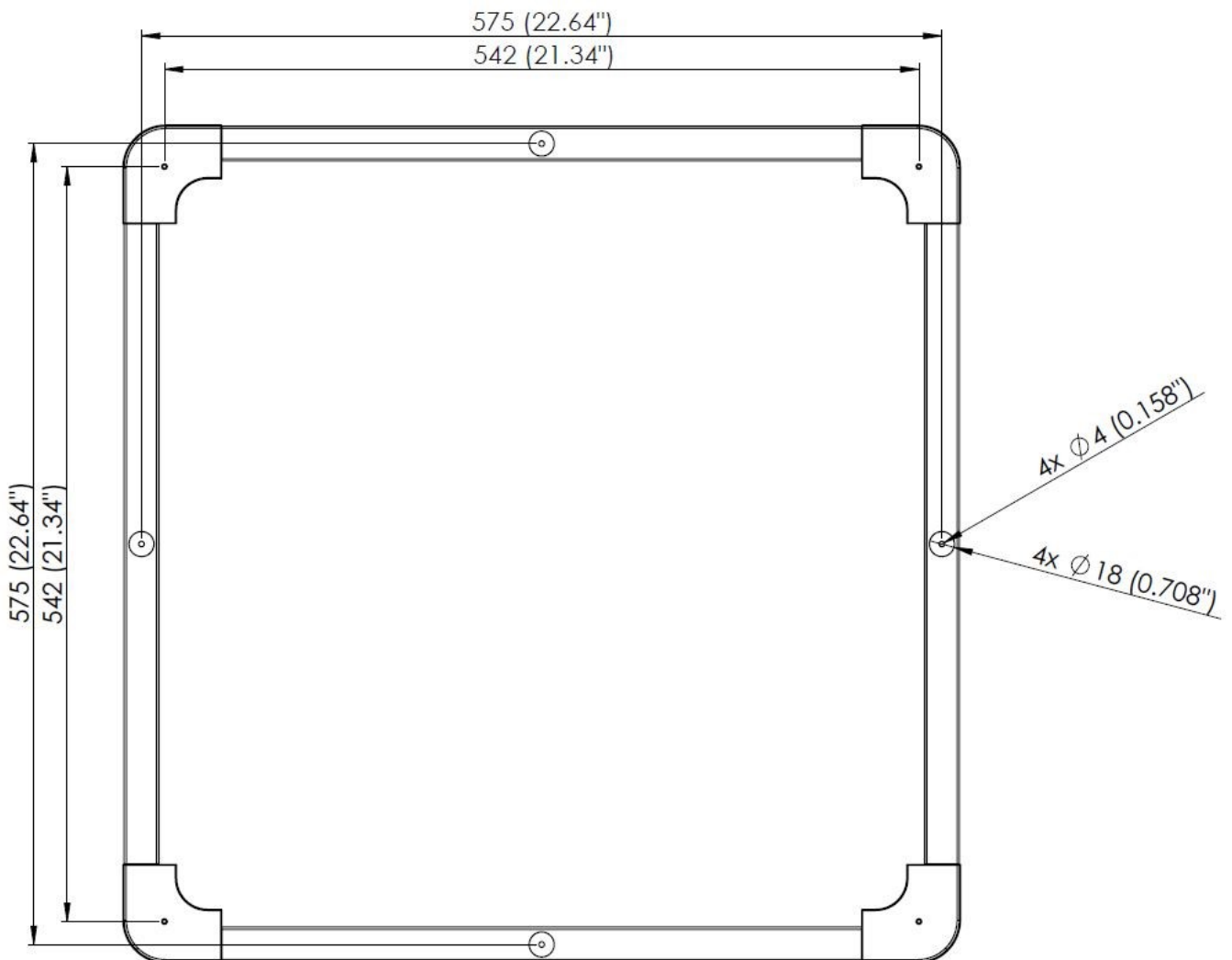
NB: It is the responsibility of the installer to ensure that appropriate hardware is used to fix the luminaire to the ceiling. Holes have been sized for a M5 Tech Screw.



AQUALUMA®

Stand Off Frame:

The Stand Off Frame is provided separately to the luminaire and has been designed for impenetrable ceiling materials such as concrete slabs. Secure the Stand Off Frame to the ceiling using fixings which must be suitable for the ceiling material and be able to support 5 times the total weight on the luminaire (8kg / 17.6 lbs).



Stand Off Frame





AQUALUMA®

Stand Off Frame:

Once the Stand Off Frame is securely attached to the ceiling, complete the wiring and secure the luminaire using the screws provided to the 4 x holes in each corner of the Stand Off Frame. Plastic caps are provided to conceal the the screw heads once securely tightened.

Stand Off Frame:

Ensure frame is flush with ceiling

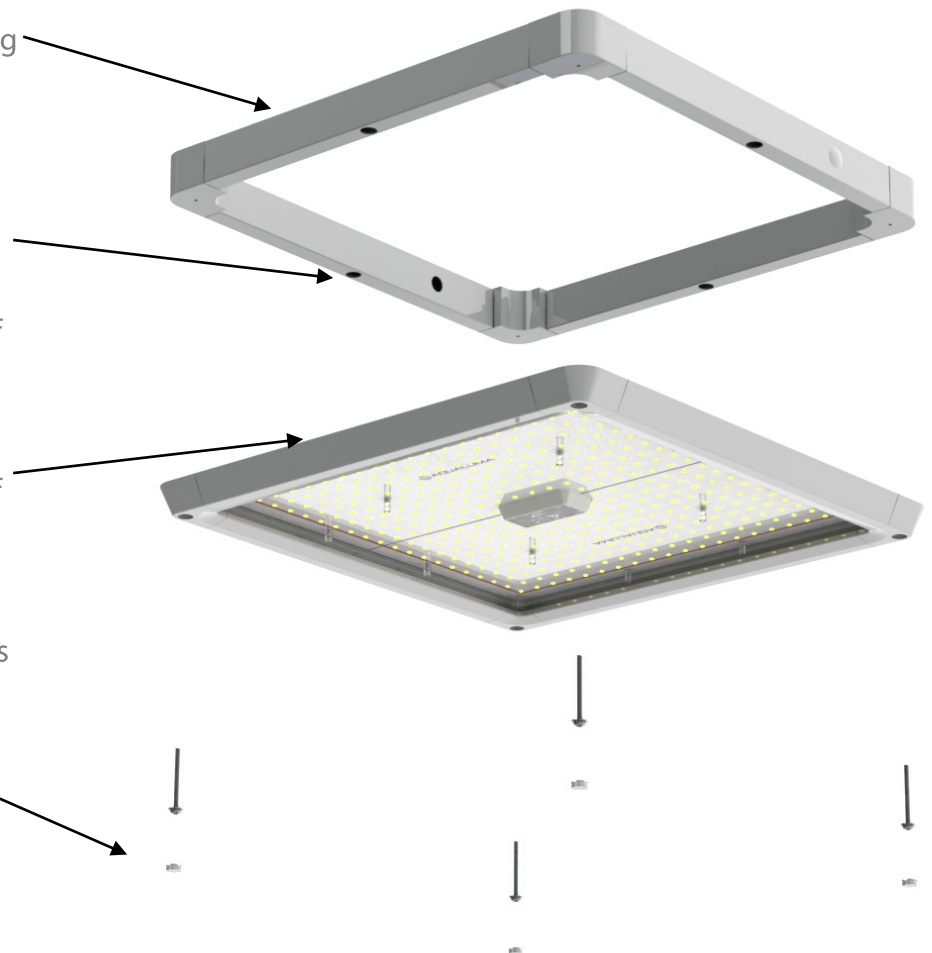
Place driver upright on upper surface of luminaire

Screw access hole for fixing

Apply silicone between edge of frame and ceiling in damp environments

Apply silicone between edge of frame and luminaire in damp environments

Corner Caps – to conceal screws once installed



NB: It is the responsibility of the installer to ensure that appropriate hardware is used to fix the luminaire to the ceiling. Holes have been sized for a M5 Tech Screw.



AQUALUMA®

7. MAINTENANCE:

CAUTION: RISK OF ELECTRIC SHOCK –

NO USER SERVICEABLE PARTS INSIDE THE LUMINAIRE.

THE LIGHT SOURCE + ELECTRONICS CONTAINED IN THIS LUMINAIRE SHALL ONLY BE REPLACED BY THE MANUFACTURER OR THEIR SERVICE AGENT.

OPENING OF THE LUMINAIRE WILL VOID THE WARRANTY.

DO NOT USE A HIGH - PRESSURE HOSE or FIRE HYDRANT.

The luminaire can be sprayed down using a normal pressure hose.

The hose nozzle should be held NO CLOSER than 2 meters from the luminaire.

The lens must be cleaned periodically to ensure continued photometric performance.

The lens and enclosure should be cleaned with a damp cloth and a mild soap or liquid cleaner.

WHERE USING A LIQUID CHEMICAL SOLUTION ENSURE DILUTION IS COMPATIBLE WITH ABS, and POLYCARBONATE plastic.

ACCURACY:

The accuracy or completeness of all statements, technical information and recommendations contained herein was correct at time of print. The purchaser should determine the suitability of the product for his intended use and assumes all risk and liability whatsoever in connection therewith.

Please contact Aqualuma or your service agent directly should you have any concerns.



AQUALUMA®

Notes:



AQUALUMA®

FOOD & PETROLEUM GRADE (FPG) CANOPY LIGHT

