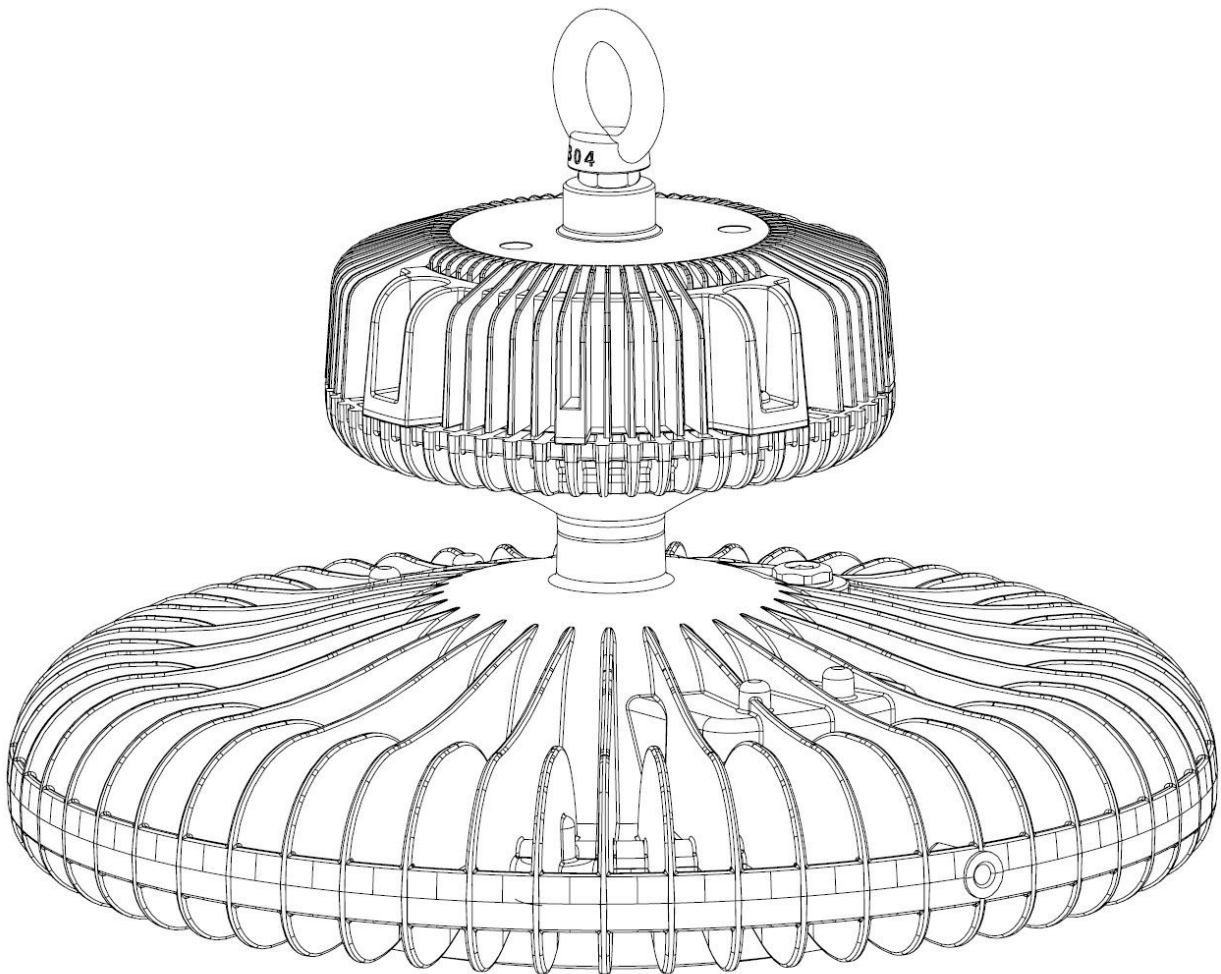




AQUALUMA®

PREMIUM HIGHBAY – HIGH OUTPUT

Includes all optical options – Standard & Aislebay



Warranty & Installation Instructions



AQUALUMA®

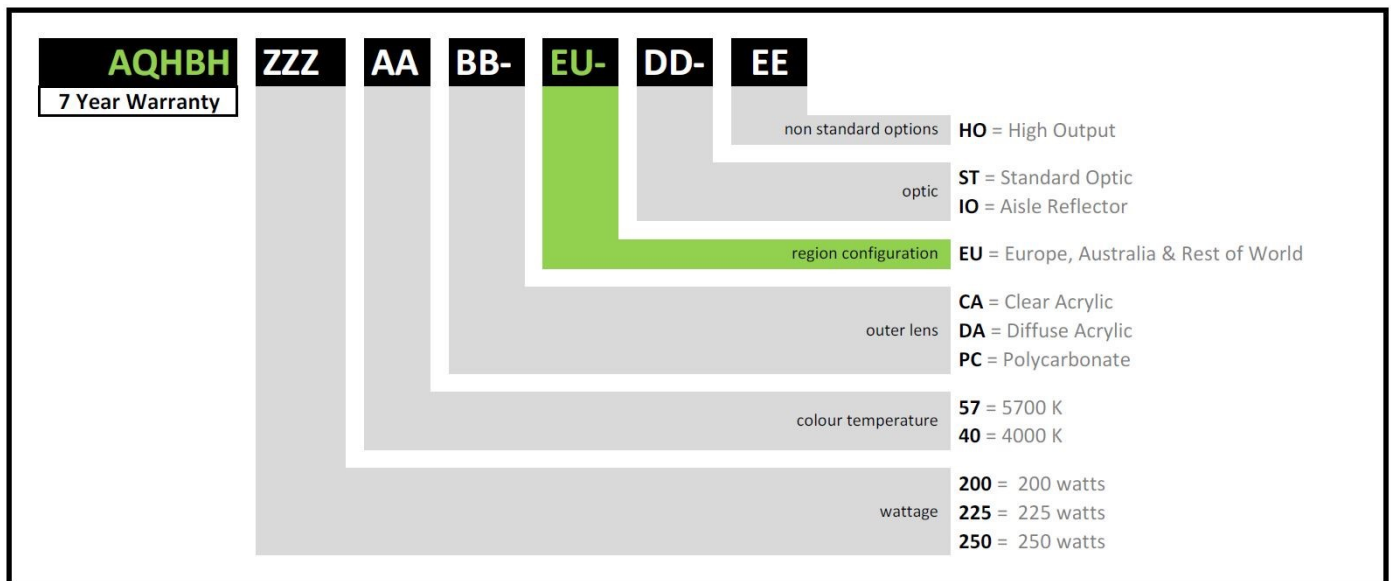
Congratulations on purchasing your Australian Designed & Manufactured lighting fixture from Aqualuma LED Lighting. This fixture uses state of the art LED technology to illuminate industrial areas effectively, whilst dramatically reducing maintenance costs and ongoing power consumption.

Warranty & Installation Instructions: June 2018

Product Brand: Aqualuma LED Lighting

Product Name: Premium Highbay – High Output

Product Code: (refer to your purchase records for your exact model)



PLEASE READ THESE INSTALLATION INSTRUCTIONS CAREFULLY BEFORE INSTALLING, OPERATING OR MAINTAINING THIS LUMINAIRE.

THIS PRODUCT MUST BE MAINTAINED AND OPERATED IN ACCORDANCE WITH THESE INSTALLATION INSTRUCTIONS, FAILURE TO DO SO MAY DAMAGE THE PRODUCT, REDUCE ITS EFFECTIVENESS, LIFE EXPECTANCY, AND MAY VOID THE WARRANTY.

IT IS ILLEGAL FOR PERSONS OTHER THAN LICENSED ELECTRICIANS OR THOSE AUTHORISED BY LEGISLATION TO WORK ON THE FIXED WIRING OF ANY ELECTRICAL INSTALLATION.



AQUALUMA®

WARRANTY:

All Aqualuma Premium Highbay – High Output luminaires have a commercial warranty covering the product for 7 years from the date of purchase to the terms set out below:

Terms of Warranty:

The Aqualuma Premium Highbay – High Output luminaire commercial warranty insures the product to be free of defects in workmanship and materials for a period of 7 years from date of purchase. This commercial warranty includes all components, including LED chips and drivers. This commercial warranty covers all operation cycles up to 24 hours a day, 7 days a week.

Warranty covers:

Aqualuma reserves the right to view proof of purchase prior to replacement or repair. Aqualuma reserves the right to inspect the defective luminaire prior to replacement or repair. Aqualuma offers at their discretion, either a complete and full replacement, or repair of the faulty luminaire, including return freighting of the replacement or repaired luminaire. Aqualuma will not be held accountable for any costs associated with the removal or return of the defective luminaire, nor the subsequent re-installation of the replacement luminaire.

Warranty does not cover:

Installation which is not carried out in accordance with the instructions contained in this document, maintenance other than contained in this document, misuse, neglect, improper installation or natural disasters such as flood, fire, lightning, power spikes, any unauthorized repairs or modifications to the luminaire. Removal or replacement of the product.

NO USER SERVICEABLE PARTS INSIDE THE LUMINAIRE - OPENING OF THE LUMNAIRE WILL VOID THE WARRANTY.

Liability:

Aqualuma's liability in all claims and events is limited to and shall not exceed the purchase price of the Aqualuma product. No affirmation of fact or warranty expressed or implied other than that set out in the warranty statement above is made or authorized by Aqualuma. Aqualuma disclaims any liability claims that are due to misapplication, improper selection or misuse. Any liability for consequential or accidental damages or costs is expressly disclaimed.

In the unlikely event that you have an issue with your Aqualuma product, please contact Aqualuma or your dealer for repair or replacement information.



AQUALUMA®

1. SPECIFICATION:

Product Brand:	Aqualuma LED Lighting
Product Name:	Premium Highbay – High Output
Weight:	8.75 kgs / 19.3 lbs
AC Supply Voltage:	220 - 240 V~ / 50 – 60 Hz / 1.0A max
Operating Temperature:	-40 ° C to + 45 ° C (Temperature Class – T6)
Power Consumption:	200w - 250w - see product label
Instant On/ Off:	Standard in all models
Motion Sensor:	Optional – see product order

2. LED PERFORMANCE:

Photometry:	IESNA LM-79
ISTM:	IES LM-84-14
Lifetime:	IESNA LM-80 and IESNA TM-21
Colour Temperature:	4000 or 5700 Kelvin
Colour Rendering Index:	>80 (4000K) or >70 (5700K)

Aqualuma Highbay - High Output	200 W	225 W	250 W	
<i>Data from Standard Optic & Clear Acrylic Lens - other optical systems will vary</i>				
Power Factor	0.99	1.00	0.99	(λ)
Total Harmonic Distortion	6	6	6	(%)
Luminous Flux	26,408	29,736	31,184	(lumens)
Efficacy	132	132	125	(lm/w)
UV Light Output	~0.034%	~0.034%	~0.034%	< 400nm



AQUALUMA®

3. CERTIFICATION:

Electrical Safety:	IEC 60598-2-1:1979, A1:1987 – IEC 60598-1:2014, A1:2017 IEC+EN 60598-2-1:1989 – EN 60598-1:2015, A1:2018 AS/NZS 60598.2.1:2014 +A1 – AS/NZS 60598.1:2013 IEC 62031:2008, A1:2012, A2:2014 - IEC TR 62778.2014
EMC Compliance:	AS/NZS CISPR 15 / EN 55015, 61000, + 61547 / FCC Part 15
Ingress Protection:	IP 66 to AS/NZS 60598.1 clause 9.2
UL Compliance:	E480324 to UL-1598, UL-8750 and CSA C22.2 no.250.0
Mechanical Impact Protection:	Clear & Diffuse Acrylic – IK 06 to EN 50102 UV Polycarbonate – IK 10 to EN 50102
Certificate of Suitability:	SAA130672
Australian Approvals:	RCM – 5720 / ERAC – E4386 / ACMA – N30779

4. WARNINGS:

It is illegal for persons other than licensed electricians or those authorised by legislation to work on the fixed wiring of any electrical installation.

CAUTION: RISK OF ELECTRIC SHOCK -

Make sure that the electrical power supply is turned off during installation.

This fixture must be connected to a wiring system with an earth/ground conductor.

If the external flexible cable of this luminaire is damaged in any way it shall be exclusively replaced by Aqualuma in order to avoid hazard.

CAUTION: RISK OF PREMATURE FAILURE -

Ensure that the supply voltage is within the range of the rated fixture voltage.

To ensure adequate cooling air circulation, do not install the fixture in a confined space.

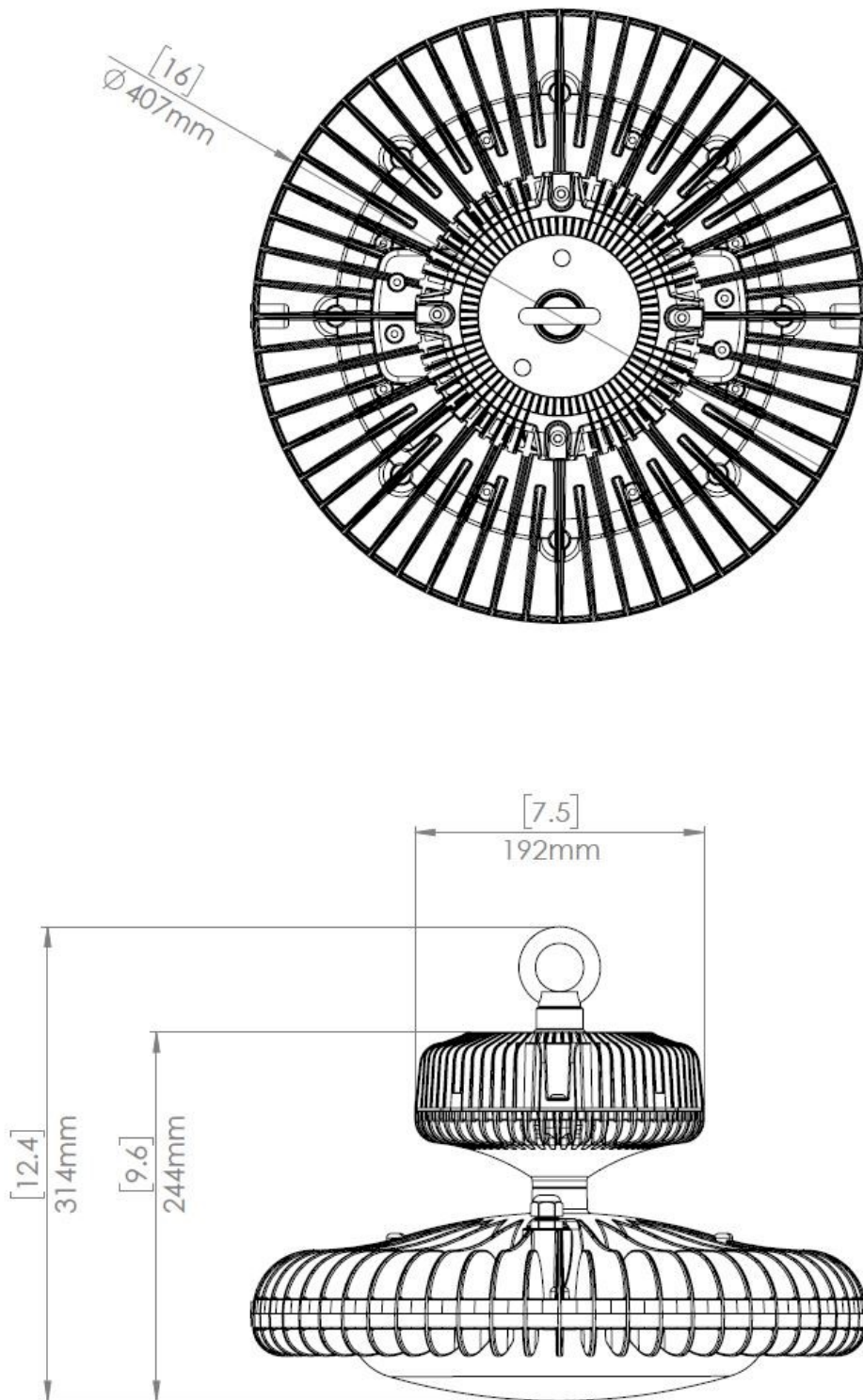
Operation of the fixture in areas where the ambient temperature exceeds the maximum rated operating temperature, as per specification, could reduce the lifetime of the fixture.

If your facility experiences ambient temperatures outside the rated operating temperatures, please contact Aqualuma to discuss solutions.



AQUALUMA®

5. DIMENSIONS:



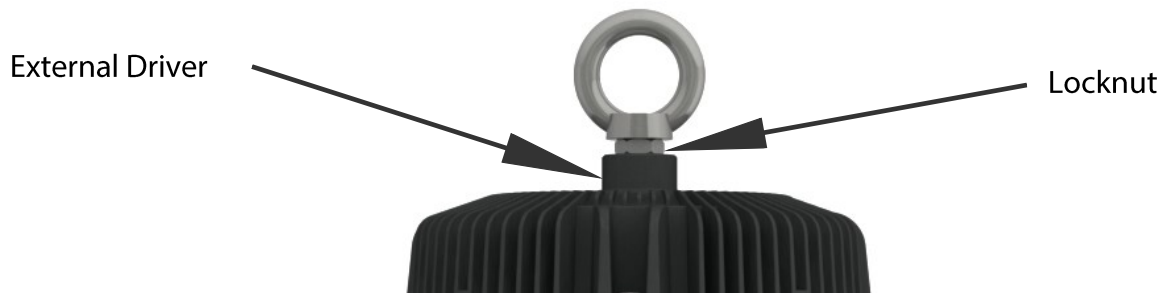


AQUALUMA®

6. INSTALLATION:

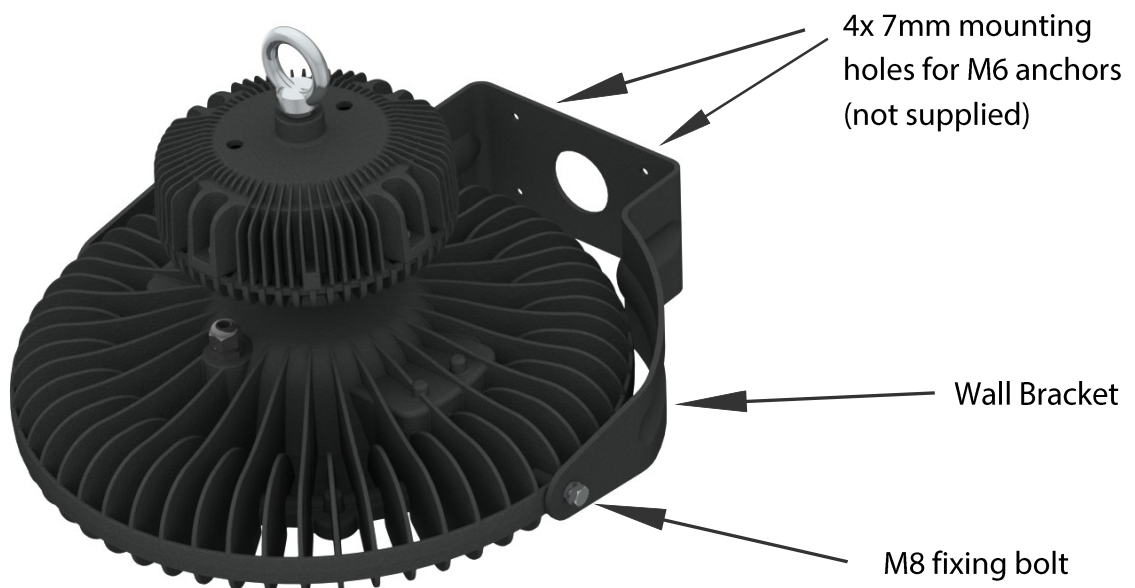
Eye Bolt –

The fixture must be vertically suspended. The method of suspension (wire cable, chain etc) must be able to support at least 5 times the total weight of the luminaire (8.75 kg / 19.3 lbs). Fixtures should be installed where access for maintenance is practical and in accordance with any lighting design information provided for the installation. **All eye bolts are shipped separate with luminaire and must be installed into reduction bush and tightened to a torque of 10nm.**



Wall Bracket Mount –

The bracket is provided separately to the fitting together with two M8 fixing bolts. Fix the bracket to the fitting using the two bolts provided. Tighten the bolts to a torque of 7.5-9.0 ft.lb. The wall bracket is then fixed to the ceiling using the 4 mounting holes provided. **NB: It is the responsibility of the installer to ensure that appropriate hardware is used to fix ceiling plate.**

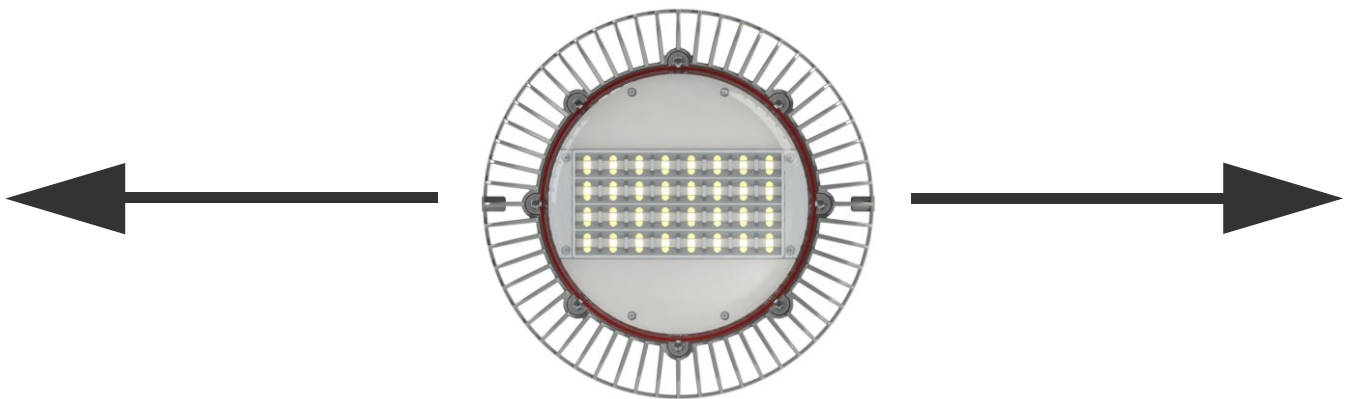




AQUALUMA®

7. AISLE ORIENTATION:

The Aisle Bay version should be mounted so that the light spreads the length of the intended aisle. As shown in image below, align the arrows to be parallel to the aisle. Secure locknut once aligned to stop unwanted rotation.





AQUALUMA®

8. ELECTRICAL CONNECTION

It is illegal for persons other than licensed electricians or those authorised by legislation to work on the fixed wiring of any electrical installation.

When ordered without AC wall plug, Connect the power cable conductors as below. The power cable must be fitted with the correct strain relief to connect to the branch circuit, according to the type of connection used.

USA / CANADA			EUROPE / AUSTRALIA		
Brown Wire to	PHASE	Black Wire	Brown Wire to	PHASE	Brown Wire
Blue Wire to	NEUTRAL	White Wire	Blue Wire to	NEUTRAL	Blue Wire
Green/Yellow Wire to	EARTH	Green Wire	Green/Yellow Wire to	EARTH	Green/ Yellow Wire

CAUTION: RISK OF ELECTRIC SHOCK -

Make sure that the electrical power supply is turned off during installation.

This fixture must be connected to a wiring system with an earth/ground conductor.

If the external flexible cable of this luminaire is damaged in any way it shall be exclusively replaced by Aqualuma in order to avoid hazard.

CAUTION: RISK OF PREMATURE FAILURE -

Ensure that the supply voltage is within the range of the rated fixture voltage.

To ensure adequate cooling air circulation, do not install the fixture in a confined space.

Operation of the fixture in areas where the ambient temperature exceeds the maximum rated operating temperature, as per specification, could reduce the lifetime of the fixture.

If your facility experiences ambient temperatures outside the rated operating temperatures, please contact Aqualuma to discuss solutions.



**MUST BE INSTALLED
BY A LICENSED
ELECTRICIAN**





AQUALUMA®

9. MAINTENANCE:

CAUTION: RISK OF ELECTRIC SHOCK

NO USER SERVICEABLE PARTS INSIDE THE LUMINAIRE.

THE LIGHT SOURCE + ELECTRONICS CONTAINED IN THIS LUMINAIRE SHALL ONLY BE REPLACED BY THE MANUFACTURER OR THEIR SERVICE AGENT.

OPENING OF THE LUMINAIRE WILL VOID THE WARRANTY.

DO NOT USE A HIGH - PRESSURE HOSE or FIRE HYDRANT.

The luminaire can be sprayed down using a normal pressure hose.

The lens must be cleaned periodically to ensure continued photometric performance.

The lens and enclosure should be cleaned with a damp cloth and a mild soap or liquid cleaner.

ACCURACY:

The accuracy or completeness of all statements, technical information and recommendations contained herein was correct at time of print. The purchaser should determine the suitability of the product for his intended use and assumes all risk and liability whatsoever in connection therewith.

Please contact Aqualuma or your service agent directly should you have any concerns.



AQUALUMA[®]

Notes:



AQUALUMA®

PREMIUM HIGHBAY – HIGH OUTPUT

