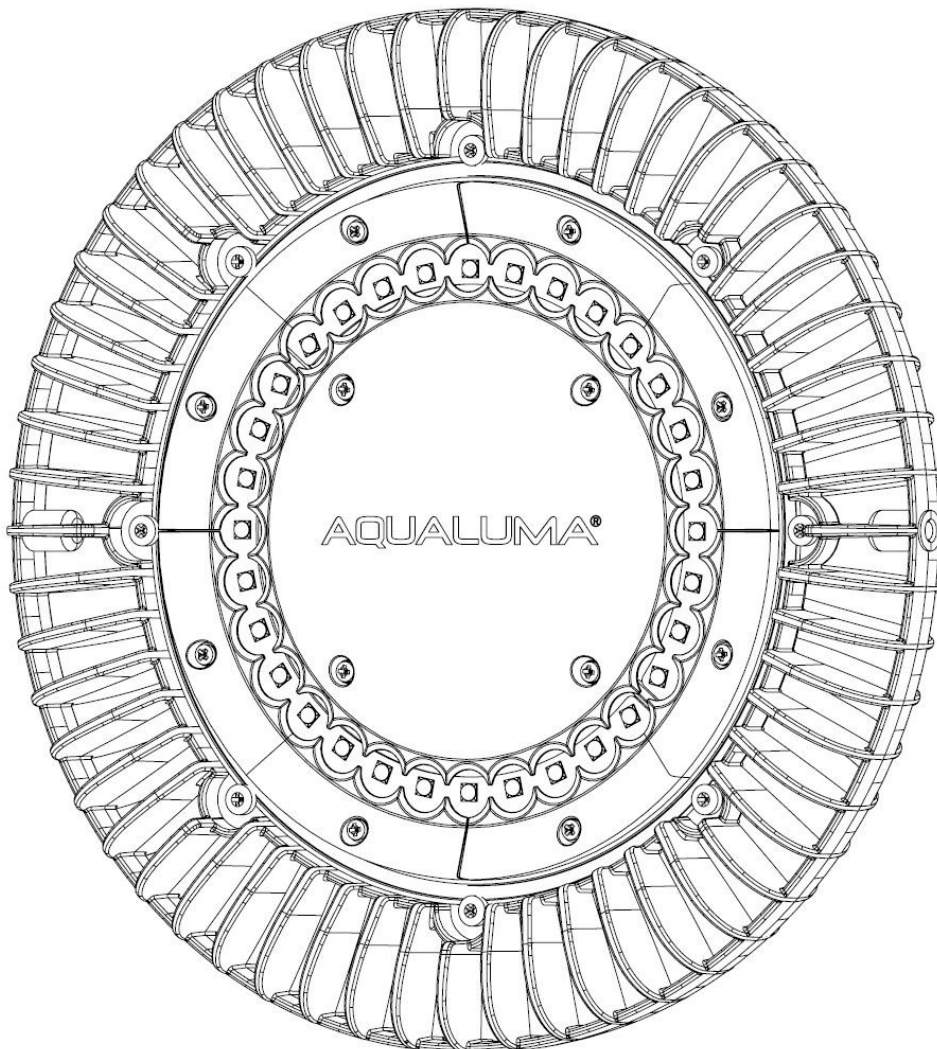




AQUALUMA®

## PREMIUM HIGHBAY – 10 YEAR WARRANTY

Includes all optical options - Standard, Aislebay, Lowbay and Shops & Stores



### Warranty & Installation Instructions

version 1.1 – February 2019



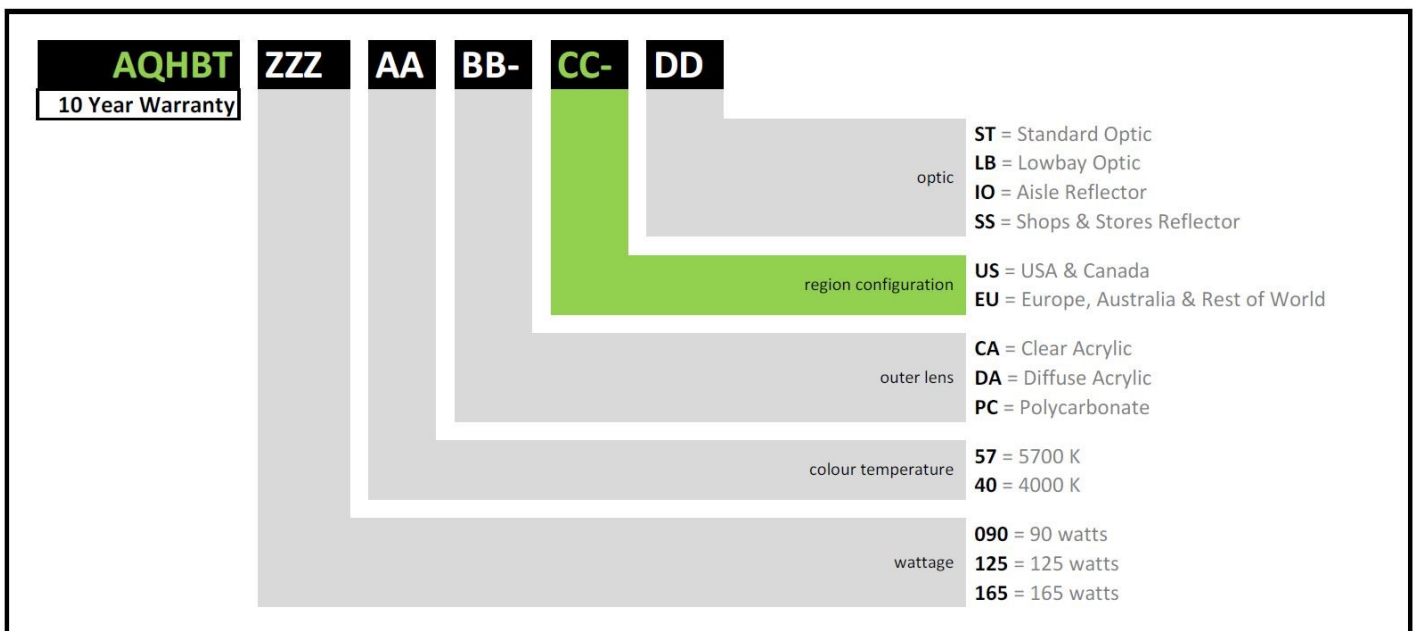
Congratulations on purchasing your Australian Designed & Manufactured lighting fixture from Aqualuma LED Lighting. This fixture uses state of the art LED technology to illuminate industrial areas effectively, whilst dramatically reducing maintenance costs and ongoing power consumption.

**Warranty & Installation Instructions:** February 2019

**Product Brand:** Aqualuma LED Lighting

**Product Name:** Premium Highbay – 10 Year Warranty

**Product Code:** (refer to your purchase records for your exact model)



**PLEASE READ THESE INSTALLATION INSTRUCTIONS CAREFULLY BEFORE INSTALLING, OPERATING OR MAINTAINING THIS LUMINAIRE.**

**THIS PRODUCT MUST BE MAINTAINED AND OPERATED IN ACCORDANCE WITH THESE INSTALLATION INSTRUCTIONS, FAILURE TO DO SO MAY DAMAGE THE PRODUCT, REDUCE ITS EFFECTIVENESS, LIFE EXPECTANCY, AND MAY VOID THE WARRANTY.**

**IT IS ILLEGAL FOR PERSONS OTHER THAN LICENSED ELECTRICIANS OR THOSE AUTHORISED BY LEGISLATION TO WORK ON THE FIXED WIRING OF ANY ELECTRICAL INSTALLATION.**

version 1.1 – February 2019



## Aqualuma Premium Highbay - now available with 10 Year Warranty

Aqualuma LED Lighting has announced the release of their new series of Highbay lighting with a full TEN year warranty. This has been achieved with revolutionary electronic design of the driver circuits. These control ready, and programmable drivers are the result of several years of development and examination of the weakest link in driver design, the Electrolytic capacitors.

Electrolytic capacitors are adversely affected by elevated temperatures, these temperatures are commonly found in solid state lighting. This reliability is not only in driver circuits but also in the LEDs which will easily last Ten years due to using only the best in the market and having exceptional thermal cooling of the entire fixture.

This 10 Year Warranty is not an insurance policy but comes from technical innovations which give the drivers a minimum lifetime of 100,000 hours=(11.4 years @ 24 hours/day)

### Technical Innovations:

- *No E-Caps – Electrolytic Capacitors are the primary component to fail in traditional driver design these have been eliminated*
- *Improved Internal Components and increased spacing for better thermal performance*
- *Output Lumen Compensation – Ability to program the power over time to ensure constant lumen output as LED performance declines*

### Other Features:

- *Dim to Off with Low Standby Power – Ability to dim the driver to off, with standby power below 0.5W*
- *Always On Auxiliary Power – Auxiliary power of 12Vdc/200mA available to power external devices (sensors or communications) which remains on in standby mode*
- *Internal Thermal Sensing and Protection – Ability to sense internal thermal conditions and dim to reduce abnormal temperatures recover at user defined set points*

The Aqualuma LED Lighting Premium Highbay with 10 Year Warranty is available configured as Highbay, Aislebay, Lowbay, Shops & Stores in wattages 90, 125 and 165.

version 1.1 – February 2019



## 1. WARRANTY:

All Aqualuma Premium Highbay – 10 Year Warranty [prefix AQHBT] luminaires have a commercial warranty covering the product for 10 years from the date of purchase to the terms set out below:

### Terms of Warranty:

The Aqualuma Premium Highbay luminaire commercial warranty insures the product to be free of defects in workmanship and materials for a period of 10 years from date of purchase. This commercial warranty includes all components, including LED chips and drivers. This commercial warranty covers all operation cycles up to 24 hours a day, 7 days a week.

### Warranty covers:

Aqualuma reserves the right to view proof of purchase prior to replacement or repair. Aqualuma reserves the right to inspect the defective luminaire prior to replacement or repair. Aqualuma offers at their discretion, either a complete and full replacement, or repair of the faulty luminaire, including return freighting of the replacement or repaired luminaire. Aqualuma will not be held accountable for any costs associated with the removal or return of the defective luminaire, nor the subsequent re-installation of the replacement luminaire.

### Warranty does not cover:

Installation which is not carried out in accordance with the instructions contained in this document, maintenance other than contained in this document, misuse, neglect, improper installation or natural disasters such as flood, fire, lightning, power spikes, any unauthorized repairs or modifications to the luminaire. Removal or replacement of the product.

**NO USER SERVICEABLE PARTS INSIDE THE LUMINAIRE - OPENING OF THE LUMINAIRE WILL VOID THE WARRANTY.**

### Liability:

Aqualuma's liability in all claims and events is limited to and shall not exceed the purchase price of the Aqualuma product. No affirmation of fact or warranty expressed or implied other than that set out in the warranty statement above is made or authorized by Aqualuma. Aqualuma disclaims any liability claims that are due to misapplication, improper selection or misuse. Any liability for consequential or accidental damages or costs is expressly disclaimed.

In the unlikely event that you have an issue with your Aqualuma product, please contact Aqualuma or your dealer for repair or replacement information.



**AQUALUMA®**

## 2. SPECIFICATION:

|                        |  |
|------------------------|--|
| Product Brand:         | Aqualuma LED Lighting                        |
| Product Name:          | Premium Highbay                              |
| Weight:                | 7.1 kgs / 15.6 lbs                           |
| AC Supply Voltage:     | 220 - 240 V~ / 50 – 60 Hz / 0.8A max         |
| Operating Temperature: | -40 ° C to + 45 ° C (Temperature Class – T6) |
| Power Consumption:     | 90w - 165w - see product label               |
| Instant On/ Off:       | Standard in all models                       |
| Motion Sensor:         | Optional – see product order                 |

## 3. LED PERFORMANCE:

|                         |                             |
|-------------------------|-----------------------------|
| Photometry:             | IESNA LM-79                 |
| ISTM:                   | IES LM-84-14                |
| Lifetime:               | IESNA LM-80 and IESNA TM-21 |
| Colour Temperature:     | 4000 or 5700 Kelvin         |
| Colour Rendering Index: | >80 (4000K) or >70 (5700K)  |

| Aqualuma Highbay   | 90 W    | 125 W   | 165 W   |          |
|--|---------|---------|---------|----------|
| <i>Data from Standard Optic &amp; Clear Acrylic Lens - other optical systems will vary</i> |         |         |         |          |
| <b>Power Factor</b>  | 0.99    | 1.0     | 0.99    | (λ)      |
| <b>Total Harmonic Distortion</b>   | 8       | 6       | 8       | (%)      |
| <b>Luminous Flux</b>   | 14,416  | 19,047  | 24,322  | (lumens) |
| <b>Efficacy</b>  | 159     | 155     | 149     | (lm/w)   |
| <b>UV Light Output</b>   | ~0.034% | ~0.034% | ~0.034% | < 400nm  |

version 1.1 – February 2019



AQUALUMA®

## 4. CERTIFICATION:

|                               |  |
|-------------------------------|--|
| Electrical Safety:            | IEC 60598-2-1:1979, A1:1987 – IEC 60598-1:2014, A1:2017<br>IEC+EN 60598-2-1:1989 – EN 60598-1:2015, A1:2018<br>AS/NZS 60598.2.1:2014 +A1 – AS/NZS 60598.1:2013<br>IEC 62031:2008, A1:2012, A2:2014 - IEC TR 62778.2014 |
| EMC Compliance:               | AS/NZS CISPR 15 / EN 55015, 61000, + 61547 / FCC Part 15   |
| Ingress Protection:           | IP 66 to AS/NZS 60598.1 clause 9.2   |
| UL Compliance:                | E480324 to UL-1598, UL-8750 and CSA C22.2 no.250.0   |
| Mechanical Impact Protection: | Clear & Diffuse Acrylic – IK 08 to EN 50102<br>UV Polycarbonate – IK 10 to EN 50102  |
| Certificate of Suitability:   | SAA130672  |
| Australian Approvals:         | RCM – 5720 / ERAC – E4386 / ACMA – N30779  |

## 5. WARNINGS:

**It is illegal for persons other than licensed electricians or those authorised by legislation to work on the fixed wiring of any electrical installation.**

### CAUTION: RISK OF ELECTRIC SHOCK -

Make sure that the electrical power supply is turned off during installation.

This fixture must be connected to a wiring system with an earth/ground conductor.

If the external flexible cable of this luminaire is damaged in any way it shall be exclusively replaced by Aqualuma in order to avoid hazard.

### CAUTION: RISK OF PREMATURE FAILURE -

Ensure that the supply voltage is within the range of the rated fixture voltage.

To ensure adequate cooling air circulation, do not install the fixture in a confined space.

Operation of the fixture in areas where the ambient temperature exceeds the maximum rated operating temperature, as per specification, could reduce the lifetime of the fixture.

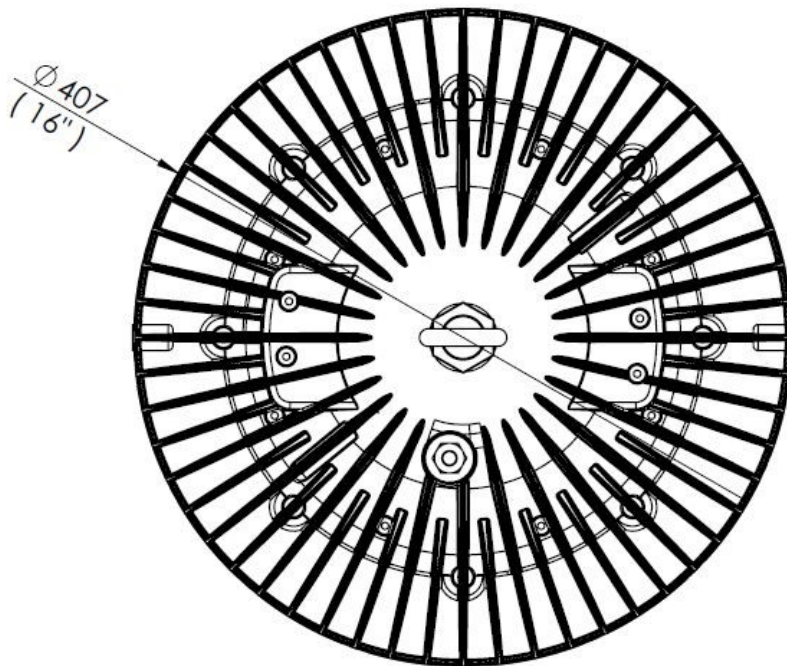
**If your facility experiences ambient temperatures outside the rated operating temperatures, please contact Aqualuma to discuss solutions.**

version 1.1 – February 2019

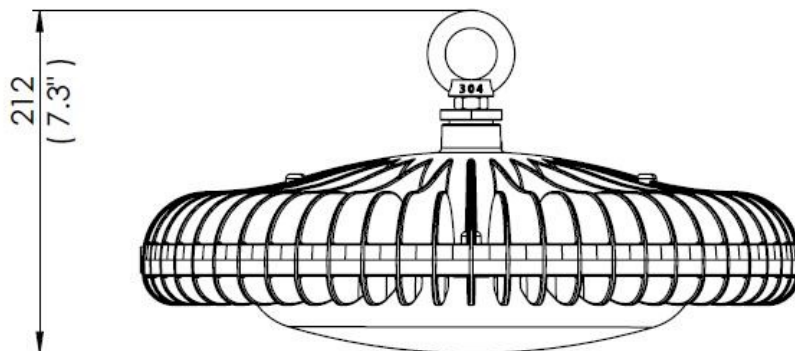


AQUALUMA®

## 6. DIMENSIONS:



EYE HOOK (STANDARD)



version 1.1 – February 2019

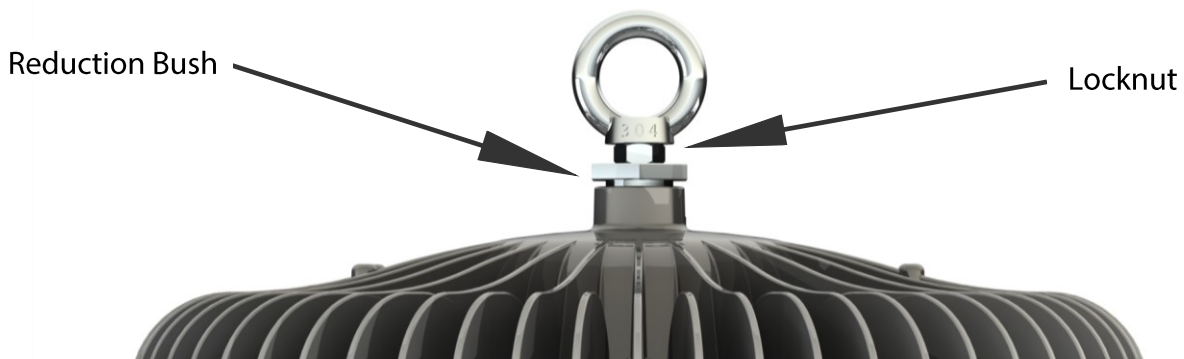


AQUALUMA®

## 7. INSTALLATION:

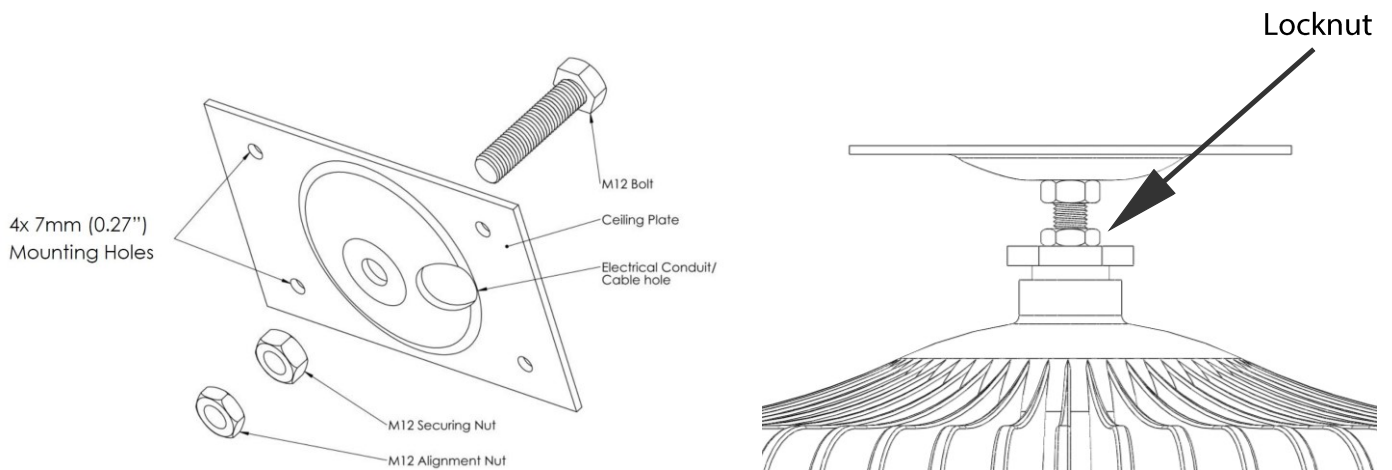
### Eye Bolt –

The fixture must be vertically suspended. The method of suspension (wire cable, chain etc) must be able to support at least 5 times the total weight of the luminaire (8.2 kg / 18.1 lbs). Fixtures should be installed where access for maintenance is practical and in accordance with any lighting design information provided for the installation. All eye bolts are shipped separate with luminaire and must be installed into reduction bush and tightened to a torque of 10nm.



### Ceiling Mount –

The assembled ceiling plate is fixed to the ceiling using the 4 mounting holes provided. **NB: It is the responsibility of the installer to ensure appropriate hardware is used to fix ceiling plate.** Thread the M12 rod into the reduction bush on the upper side of the luminaire until there is no more than 10cm of rod showing. Use the locknut to secure the luminaire from rotation.



version 1.1 – February 2019

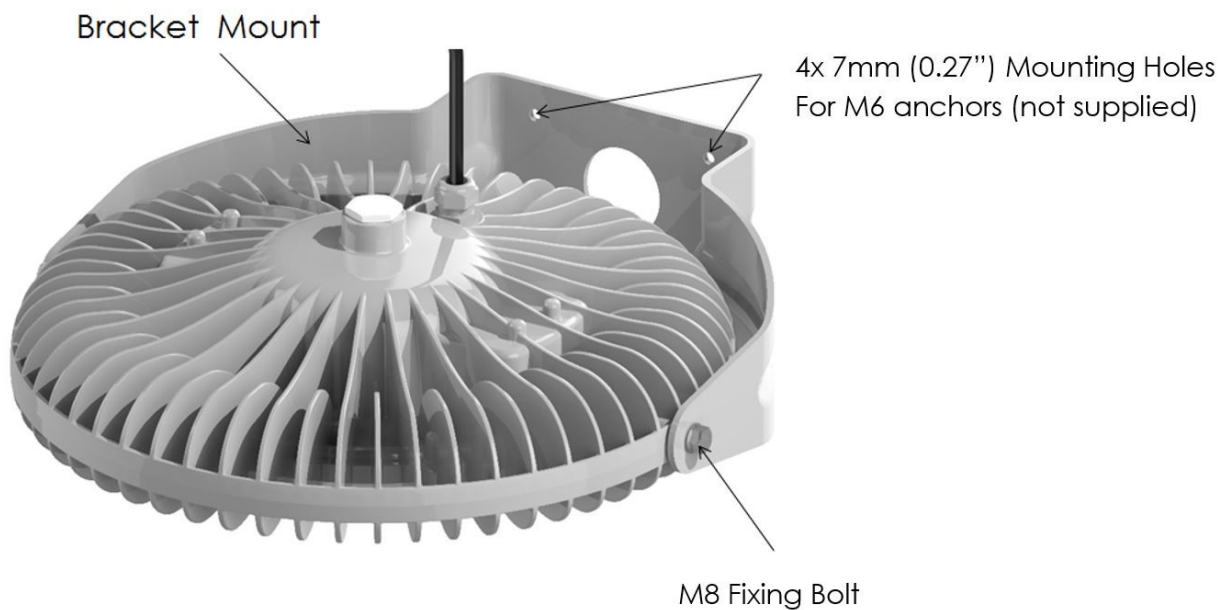




AQUALUMA®

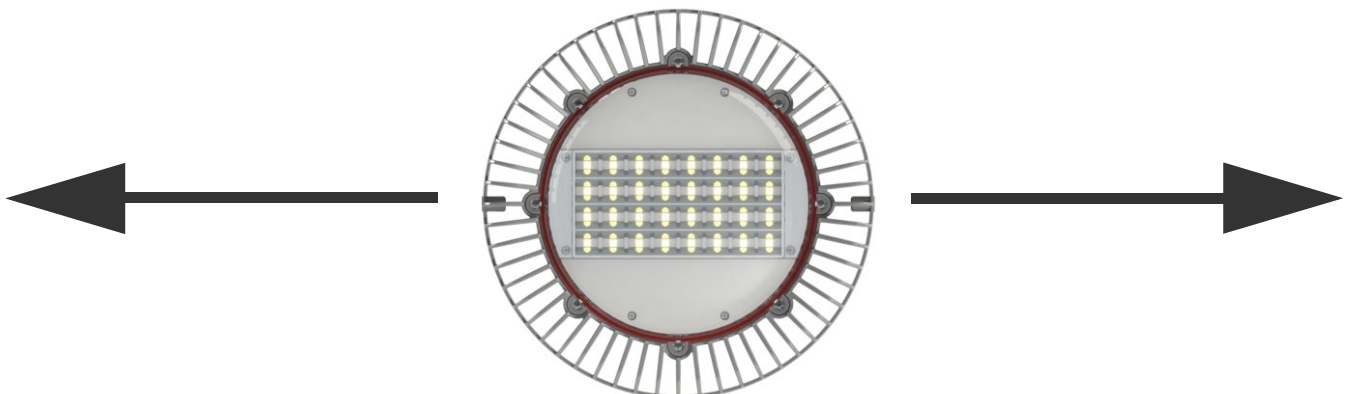
### Wall Bracket Mount –

The bracket is provided separately to the fitting together with two M8 fixing bolts. Fix the bracket to the fitting using the two bolts provided. Tighten the bolts to a torque of 7.5-9.0 ft.lb. The wall bracket is then fixed to the ceiling using the 4 mounting holes provided. **NB: It is the responsibility of the installer to ensure that appropriate hardware is used to fix ceiling plate.**



## 8. AISLE ORIENTATION:

The Aisle Bay version should be mounted so that the light spreads the length of the intended aisle. As shown in image below, align the arrows to be parallel to the aisle. Secure locknut once aligned to stop unwanted rotation.



version 1.1 – February 2019



AQUALUMA®

## 9. ELECTRICAL CONNECTION

It is illegal for persons other than licensed electricians or those authorised by legislation to work on the fixed wiring of any electrical installation.

When ordered without AC wall plug, connect the power cable conductors as below. The power cable must be fitted with the correct strain relief to connect to the branch circuit, according to the type of connection used.

| USA / CANADA         |                |            | EUROPE / AUSTRALIA   |                |                    |
|----------------------|----------------|------------|----------------------|----------------|--------------------|
| Brown Wire to        | <b>PHASE</b>   | Black Wire | Brown Wire to        | <b>PHASE</b>   | Brown Wire         |
| Blue Wire to         | <b>NEUTRAL</b> | White Wire | Blue Wire to         | <b>NEUTRAL</b> | Blue Wire          |
| Green/Yellow Wire to | <b>EARTH</b>   | Green Wire | Green/Yellow Wire to | <b>EARTH</b>   | Green/ Yellow Wire |

### CAUTION: RISK OF ELECTRIC SHOCK -

Make sure that the electrical power supply is turned off during installation.

This fixture must be connected to a wiring system with an earth/ground conductor.

If the external flexible cable of this luminaire is damaged in any way it shall be exclusively replaced by Aqualuma in order to avoid hazard.

### CAUTION: RISK OF PREMATURE FAILURE -

Ensure that the supply voltage is within the range of the rated fixture voltage.

To ensure adequate cooling air circulation, do not install the fixture in a confined space.

Operation of the fixture in areas where the ambient temperature exceeds the maximum rated operating temperature, as per specification, could reduce the lifetime of the fixture.

If your facility experiences ambient temperatures outside the rated operating temperatures, please contact Aqualuma to discuss solutions.



MUST BE INSTALLED  
BY A LICENSED  
ELECTRICIAN



version 1.1 – February 2019



AQUALUMA®

## 10. MAINTENANCE:

### CAUTION: RISK OF ELECTRIC SHOCK

NO USER SERVICEABLE PARTS INSIDE THE LUMINAIRE.

THE LIGHT SOURCE + ELECTRONICS CONTAINED IN THIS LUMINAIRE SHALL ONLY BE REPLACED BY THE MANUFACTURER OR THEIR SERVICE AGENT.

OPENING OF THE LUMINAIRE WILL VOID THE WARRANTY.

DO NOT USE A HIGH - PRESSURE HOSE or FIRE HYDRANT.

The luminaire can be sprayed down using a normal pressure hose.

The lens must be cleaned periodically to ensure continued photometric performance.

The lens and enclosure should be cleaned with a damp cloth and a mild soap or liquid cleaner.

### ACCURACY:

*The accuracy or completeness of all statements, technical information and recommendations contained herein was correct at time of print. The purchaser should determine the suitability of the product for his intended use and assumes all risk and liability whatsoever in connection therewith.*

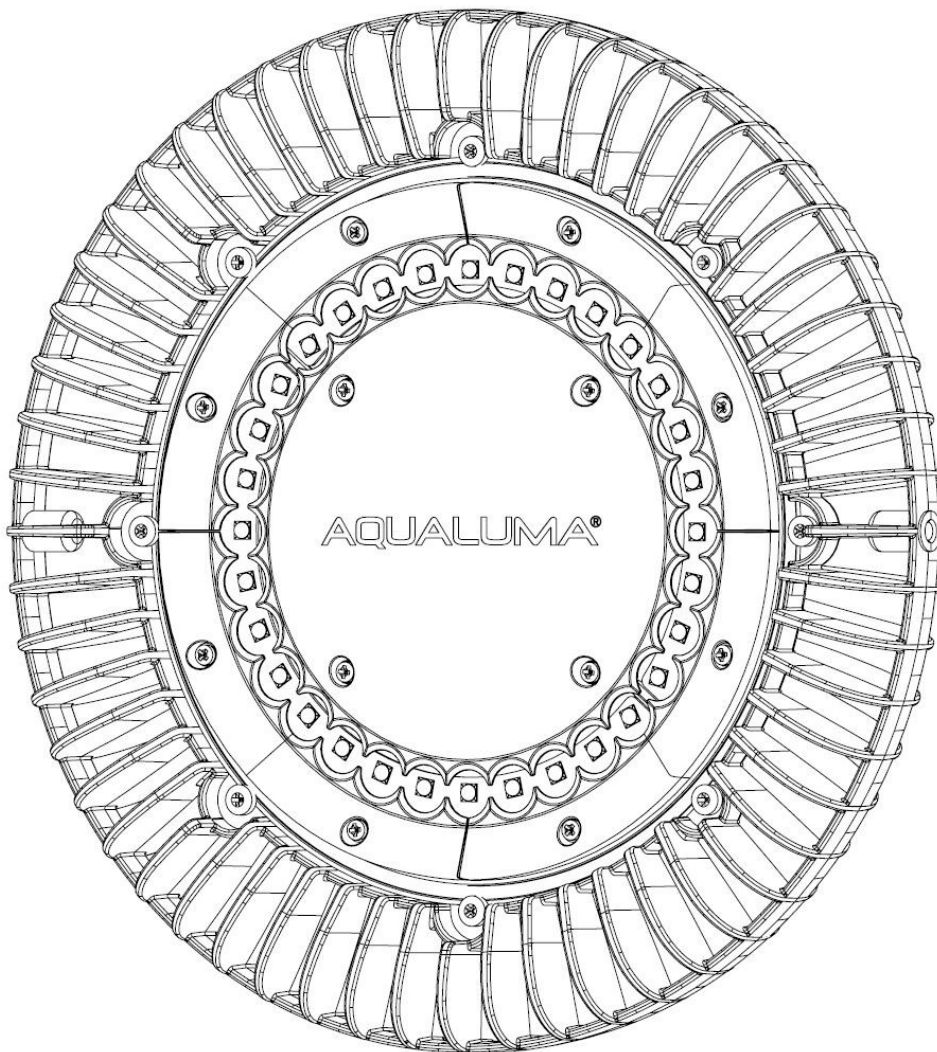
*Please contact Aqualuma or your service agent directly should you have any concerns.*

version 1.1 – February 2019



AQUALUMA®

## PREMIUM HIGHBAY – 10 YEAR WARRANTY



version 1.1 – February 2019