



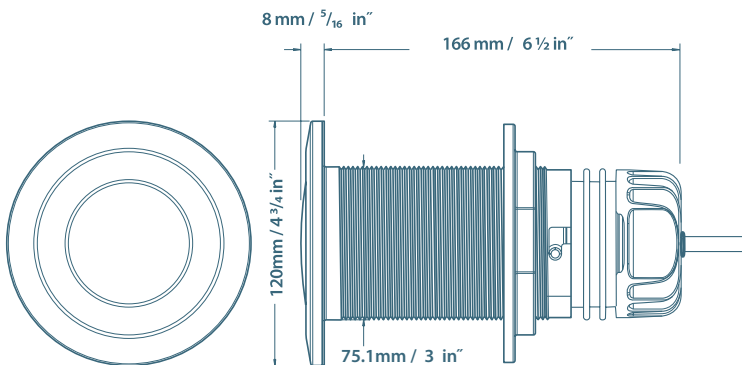
AQUALUMA®
LED LIGHTING



GEN 4 - 18 TRI SERIES

THE COLOURFUL TRI SERIES IS ALL ABOUT OFFERING CHOICE. DECIDING WHICH AQUALUMA PRODUCT TO PURCHASE HAS JUST BEEN MADE EASIER.

The Tri Series combines the brilliance of the blue and white LEDs within the body of the 12 and 18 Series and offers customers the choice of two colours (9 blue and 9 white LEDs) in the one housing. Choose to operate just one colour, or run them together to get a mix of the two, at an intensity that is equal to the 18 Series. Manufactured in the incredibly robust one-piece, corrosion-proof and injection-molded polymer housing.



TECHNICAL SPECIFICATIONS

- GEN 4 LED technology
- 3 year warranty on internals
- 10 year housing warranty
- Low DC current draw, 12 or 24 Volt DC
- 2 colours in the one unit can be run individually or together
- Internally serviceable and upgradeable
- Can be operated in or out of the water
- Meets World EMI standard
- No bonding to anodes required
- Operating current:
 - with 1 of either colours:
less than 1.3 amps @ 12 Volt
 - with both colours:
less than 2.6 amps @ 12 Volt
- Throws both a deep penetrating and wide flat beam of light from one unit
- 75mm/3" thru-hull fitting
- All new combination optic with increased horizontal spread

BRILLIANT WHITE

- Color temperature 9000
- Fixture Lumens : 1075 lm
- Fixture Lumens Lowlight Conditions: 2475 lm

ULTRA BLUE

- Color temperature 470nm
- Fixture Lumens : 418lm
- Fixture Lumens Lowlight Conditions : 7,050 lm

BLUE / WHITE TRI

- Fixture Lumens : 1,493lm
- Fixture Lumens Lowlight Conditions : 9,525 lm

