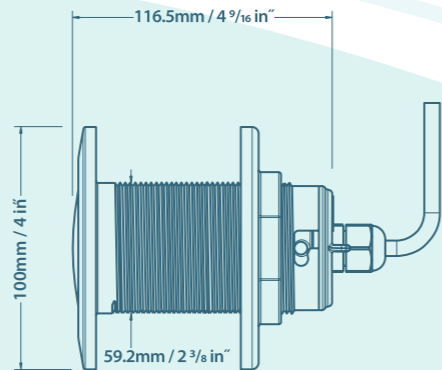
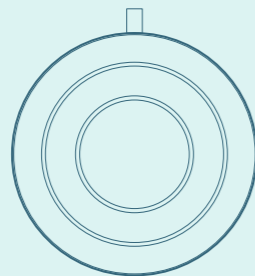


# LUMA-VU

**FOR THOSE CURIOUS TO FIND OUT WHAT LIES BELOW THE OCEAN'S GLASSY SURFACE, LET THE LUMA-VU CAMERA SHOW YOU.**

The Luma-Vu Camera gives you a crystal clear view of what's happening in the ocean beneath you. Simply flick the switch and a kaleidoscope of colour will be revealed. Manufactured with Aqualuma's famous corrosion-proof, injection-moulded polymer housing, this high resolution colour CCTV camera is virtually bullet proof (and definitely shark proof!). Luma-Vu will connect to any video input and continues Aqualuma's commitment to enhance your boating experience.



## TECHNICAL SPECIFICATIONS

- 2 year warranty
- Colour CCTV camera
- Hi res 520 TV lines
- NTSC or Pal Format
- Scanning system NTSC 525 lines, PAL 625 lines
- 3.6mm lens = 92° viewing angle
- 12 volt dc power source (tolerance 10-15 volt)
- Operating current 130 mA
- Sony image sensor
- Front face and sealing flange 110mm/4.33"
- Overall length 110.5mm/4.35"
- Hole saw size 60mm/2 3/8"
- Supplied with 15 metre (49 feet) of video and power supply cable.
- Scratch resistant polymer housing
- Auto iris
- Luma Vu Camera is mounted in a 6 Series housing (60mm 2 3/8" cut out)